

JOOLOOOL by Anie

3M
ABRASIVES



THE FASTEST JEWELRY FINISHING SYSTEM

SAVES TIME - SAVES MONEY - IMPROVES QUALITY AND SAFETY
WITH PATENTED SEE-THROUGH TECHNOLOGY

BETTER THAN SPLIT LAPS & GRINDERS

+ ITS COMPACT SIZE REPLACES BENCH POLISHERS & ROTARY TOOLS

POLISHES SAPPHIRE WATCH CRYSTAL

+ MINERAL CRYSTAL

CLEANS UP CASTINGS & POLISHES JEWELRY

+ GOLD, SILVER, PLATINUM, STAINLESS STEEL & MORE

POLISHES WATCH BANDS & CASES

+ ADDS SATIN FINISHES

REMOVES POROSITY

+ FROM VIRTUALLY ANY METAL

REPAIRS CHIPPED STONES

+ REPLACES LAPIDARY MACHINES

ONLY 3 STEPS FROM ROUGH CASTING TO SHOWCASE FINISH!



1
REMOVE SPRUES AND MATERIAL
QUICKLY AND EFFICIENTLY!



2
CLEAN UP CASTINGS AND FILL
POROSITY SIMULTANEOUSLY!



3
POLISH TO A SHOWCASE SHINE!



Invented by Anie
Master Jeweler & TV Personality

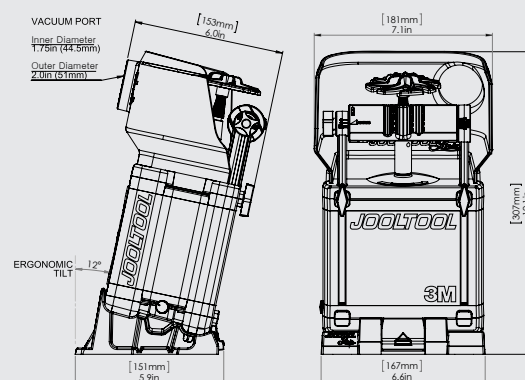
TECHNICAL INFO

POWER:

- Works on any 110V to 240VAC Power
- 12VDC 5A Efficient Continuous-Duty Motor
- Variable Speed: 500-5000 RPM
- Built-In Safety Auto-Stop Function

EXTERIOR FEATURES:

- Innovative Adaptable Design
- Detachable Hood & Base for Maintenance
- Ergonomic 12 Deg. incline for Optimal Visibility
- Heavy-Duty Construction
- Weights only 1.8kg / 4 lbs -without accessories
- Built-In Vacuum Port connects to dust collector

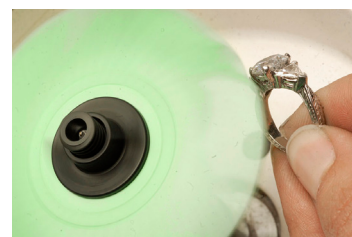


YouTube
JOOLOOOLUSA

AVAILABLE AT



TEKNİK DÖKÜM



JOOLOO JEWELRY GRINDING & POLISHING KIT FOR METAL

This kit is perfect for all your polishing needs from start to finish. It can replace many metalworking tool sets that cost at least twice as much. It delivers a showcase polish while replacing hand-filing and makes shaping & polishing a breeze. Use it to clean up raw castings, remove porosity and go all the way to a super high polish. Recondition old scratched jewelry, silverware & antiques and finish them in minutes. What took hours of work will now take you minutes to complete!

Polish metals such as: PLATINUM, GOLD, SILVER, BRASS, COPPER, BRONZE, ALUMINUM, STAINLESS STEEL and more. The JOOLTOOL Machine and all necessary Abrasives and Backpads are INCLUDED.

Kit Includes:

- Jooltool™ System
- 3 x SEE-THRU™ Backpads
- 3M™ Cushion Pad
- 3M™ Purple Ceramic™ 120 Grit
- 3M™ Scotch-Brite™ EXL Wheel – Fine
- 3M™ 3" Bristle Brush: 1 Micron grade (4-ply thickness)
- 3M™ Vetrap™ Protective Finger Wrap Roll (5cm wide x 4.57m long)
- 3-inch "Fluffy" Buffing wheel
- JOOLTOOL SEE-THRU™ felt disc
- JOOLTOOL Polishing Compound
- JOOLTOOL Instructional Booklet (User Guide)
- JOOLTOOL Power Adapter and Cord Set (not pictured)
- BONUS – Tool Rest with Adjustable Angles for Sharpening