

JOOLOOOL *by Anie*

3M
ABRASIVES



THE FASTEST JEWELRY FINISHING SYSTEM

SAVES TIME - SAVES MONEY - IMPROVES QUALITY AND SAFETY
WITH PATENTED SEE-THROUGH TECHNOLOGY

BETTER THAN SPLIT LAPS & GRINDERS

+ ITS COMPACT SIZE REPLACES BENCH POLISHERS & ROTARY TOOLS

POLISHES SAPPHIRE WATCH CRYSTAL

+ MINERAL CRYSTAL

CLEANS UP CASTINGS & POLISHES JEWELRY

+ GOLD, SILVER, PLATINUM, STAINLESS STEEL & MORE

POLISHES WATCH BANDS & CASES

+ ADDS SATIN FINISHES

REMOVES POROSITY

+ FROM VIRTUALLY ANY METAL

REPAIRS CHIPPED STONES

+ REPLACES LAPIDARY MACHINES

ONLY 3 STEPS FROM ROUGH CASTING TO SHOWCASE FINISH!



1
REMOVE SPRUES AND MATERIAL
QUICKLY AND EFFICIENTLY!



2
CLEAN UP CASTINGS AND FILL
POROSITY SIMULTANEOUSLY!



3
POLISH TO A SHOWCASE SHINE!



Invented by Anie
Master Jeweler & TV Personality

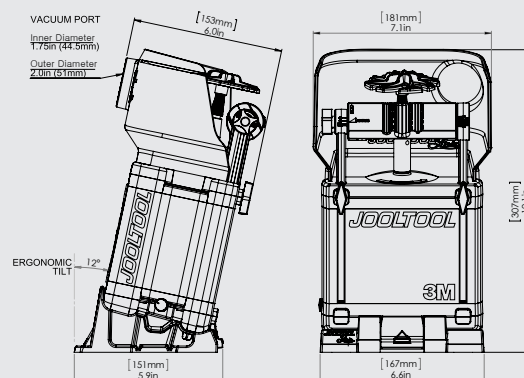
TECHNICAL INFO

POWER:

- Works on any 110V to 240VAC Power
- 12VDC 5A Efficient Continuous-Duty Motor
- Variable Speed: 500-5000 RPM
- Built-In Safety Auto-Stop Function

EXTERIOR FEATURES:

- Innovative Adaptable Design
- Detachable Hood & Base for Maintenance
- Ergonomic 12 Deg. incline for Optimal Visibility
- Heavy-Duty Construction
- Weights only 1.8kg / 4 lbs -without accessories
- Built-In Vacuum Port connects to dust collector

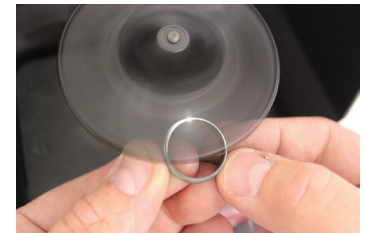
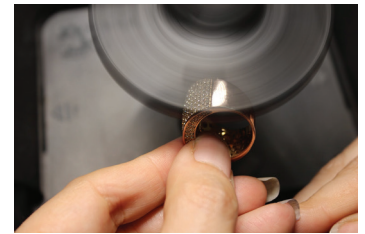


YouTube
JOOLOOOLUSA

AVAILABLE AT



TEKNİK DÖKÜM



3" Discs

JOOLOO MASTER JEWELER'S KIT 3" (75mm) #JTX-MST-1C

This kit is perfect for all your polishing needs from start to finish. It can replace many metalworking tool sets that cost at least twice as much. It delivers a showcase polish while replacing hand-filing and makes shaping & polishing a breeze. Use it to clean up raw castings, remove porosity and go all the way to a super high polish. Recondition old scratched jewelry, silverware & antiques and finish them in minutes. What took hours of work will now take you minutes to complete!

Polish metals such as: PLATINUM, GOLD, SILVER, BRASS, COPPER, BRONZE, ALUMINUM, STAINLESS STEEL and more. The JOOLTOOL Machine and all necessary Abrasives and Backpads are INCLUDED.

Kit Includes:

- Jooltool™ System
- 8 x SEE-THRU™ Backpads
- 6 x 3M™ Bumpon Cushion Pad
- 3M™ Purple Ceramic™ 80/120/220 Grit
- 3M™ Trizact™ Abrasive 35/20/10 Micron
- 3M™ Scotch-Brite™ EXL Wheel – Fine
- 3M™ 3" Bristle Brush: 1 Micron, Green, 4 ply
- 3M™ 3" Bristle Brush: 6 Micron, Peach, 4 ply
- 3M™ 3" Bristle Brush: 400 Grit, Blue, 4 ply
- 3M™ 3" Bristle Brush: 220 Grit, Maroon, 4 ply
- 3-inch "Fluffy" Buffing wheel
- JOOLTOOL SEE-THRU™ felt disc
- JOOLTOOL Polishing Compound
- 3M™ Vetrap™ Protective Finger Wrap Roll (5cm wide x 4.57m long)
- JOOLTOOL Instructional Booklet (User Guide)
- JOOLTOOL Power Adapter and Cord Set (not pictured)
- BONUS – Tool Rest with Adjustable Angles for Sharpening
- FREE! Visor will come pre-installed on your Machine